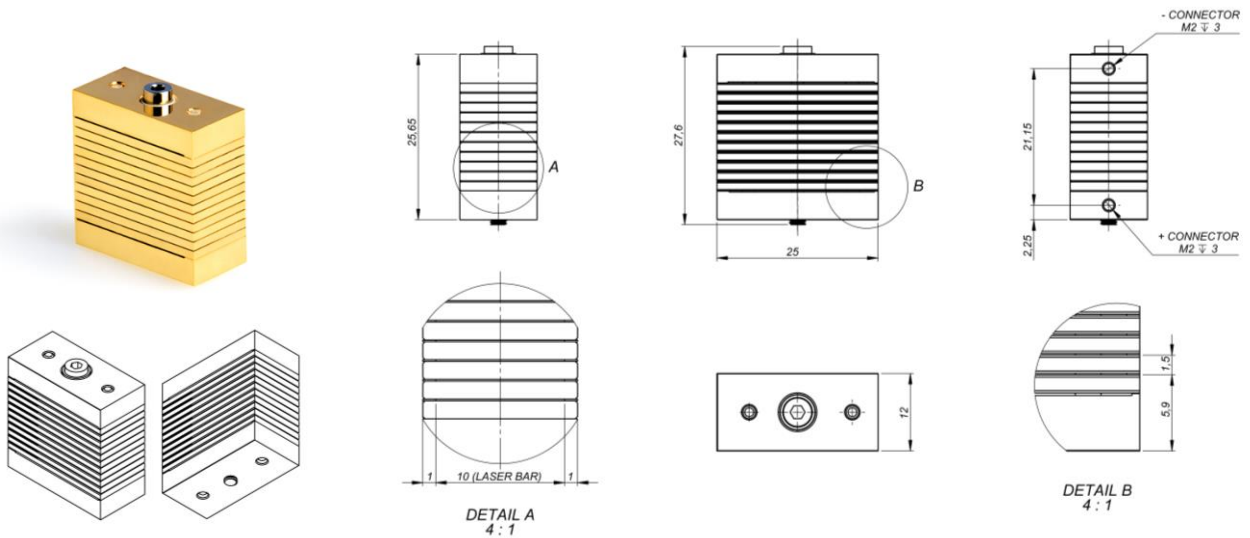


Conduction Cooled Laser Bar Stack C-Stack λ 1040-1080 nm



Features:

Improved cooling efficiency
 No “smile” effect
 No mechanical stress
 Number of bars on demand
 Central wavelength on demand

Suitable for:

Interstitial laser induced thermotherapy
 Surgery
 Aesthetics
 Material processing

Technical specifications ^(1,2)	
Wavelength ⁽³⁾ [nm]	1040 - 1080
Wavelength tolerance [nm]	±5
Spectral width, FWHM [nm]	< 5
Wavelength shift [nm/K]	0.27
Output power, QCW ^(2,4) [W]	up to 350 / laser bar
Operating current [A]	< 400
Differential slope, after threshold [W/A]	1.2
Voltage @ connectors ⁽⁵⁾ [V]	2 - 33
Bar to bar pitch [mm]	down to 1.4
Optics (optional)	FAC / SAC / BT
Bars per stack ⁽⁶⁾	1 - 16
Smile [μm]	< 0.1

- Specifications at 20 °C, at the beginning of the lifetime
- Specifications are subject to chips availability
- Other wavelengths on request
- Expected output power can varies based on current and temperature
- Voltage from the power supply must be higher, as due to high current there will be a voltage drop in the cables
- Pitch dependent